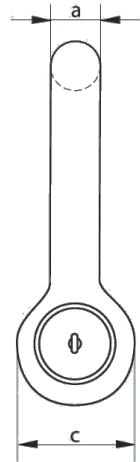
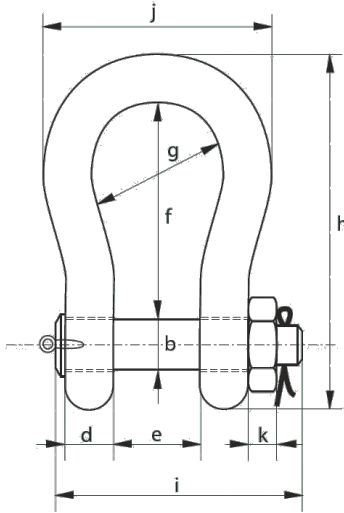
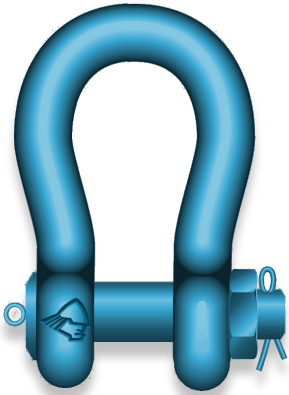


GREEN PIN HEAVY DUTY POLAR SHACKLE

Bow shackles with safety bolt, for use under extreme climatic conditions
P-6031



Working load limit	diameter bow	diameter pin	diameter eye	wid eye	width inside	length inside	width bow	length	length bolt	width	thick-ness nut	weight each
tons	a (mm)	b (mm)	c (mm)	d (mm)	e (mm)	f (mm)	g (mm)	h (mm)	i (mm)	j (mm)	k mm	kg
120	95	95	215	89	144	381	238	667	440	416	50	110
150	105	108	245	100	165	400	275	702	490	485	60	160
200	120	130	288	110	175	500	290	854	520	530	60	235

All dimensions are approximate