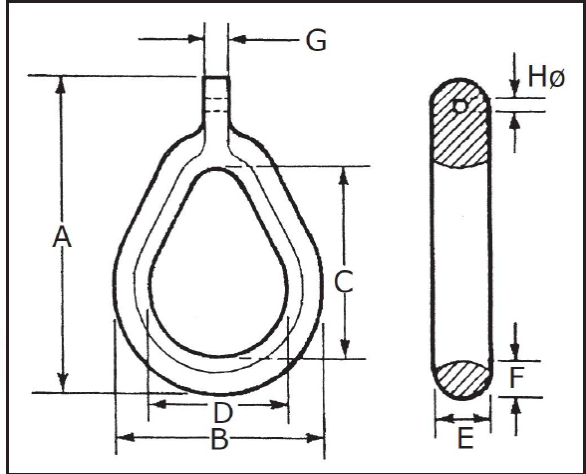


# CHAINS AND FITTINGS

## PERMANENT CHASER

BEL 102 - 106 - 110 - 112 - 4110 - 4112

3.6



Type	Weight (kg)	SWL (tonnes)	Proof test (tonnes)	Dim	A	B	C	D	E	F	G	H
BEL 102	1088	100	250	in	65,25	45	39	30	12	7,5	4,88	3,38
				mm	1657	1143	991	762	305	191	124	86
BEL 106	1451	130	250	in	67	46	39	30	15	8	5,13	3,88
				mm	1702	1168	991	762	381	203	130	99
BEL110	1433	130	250	in	73,5	49	44,5	33	13	8	5,13	3,88
				mm	1867	1245	1130	838	330	203	130	99
BEL 112	2064	250	250	in	87	54,5	55	37,5	14,4	10,2	5,13	3,88
				mm	2210	1384	1397	953	356	260	130	99
BEL4110	2390	250	400	in	80,3	53,6	44,5	33	16	-	7,5	-
				mm	2040	1361	1130	838	406	-	191	144

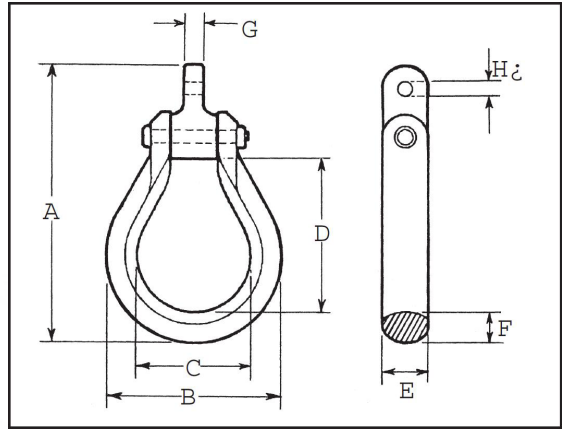
All dimensions are approximate

Lifting eye dimensions shown are standard for each type.  
Specials can be made to suit customer requirements.

# DETACHABLE PERMANENT CHAIN CHASER

BEL 107 - 108 - 111

3.7



Type	Weight (kg)	SWL (tonnes)	Proof test (tonnes)	Dim	A	B	C	D	E	F	G	H
BEL 107	1238	100	250	in	74,25	45	42,5	30	12	7,5	4,88	3,38
				mm	1886	1143	1080	762	305	191	124	86
BEL 108	1656	130	250	in	76	46	42	30	15	8	5,13	3,88
				mm	1931	1168	1067	762	381	203	130	99
BEL111	1742	130	250	in	78,5	49	44,5	33	13	8	5,13	3,88
				mm	1994	1245	1130	838	330	203	130	99

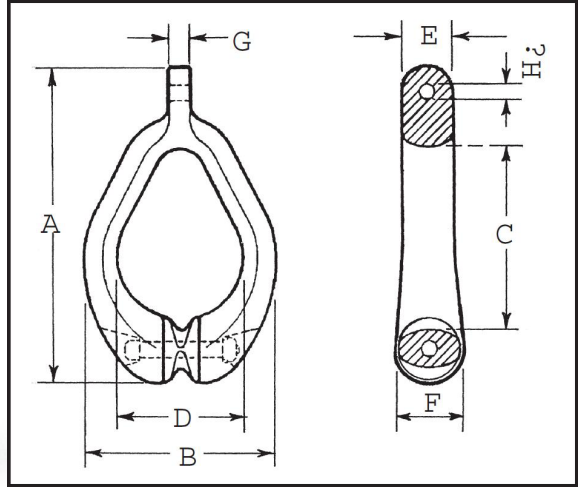
All dimensions are approximate

Lifting eye dimensions shown are standard for each type.  
Specials can be made to suit customer requirements.

# CHAINS AND FITTINGS

## PERMANENT WIRE CHASER

BEL210 - 213 - 214 - 215 - 4214



Type	Weight (kg)	SWL (tonnes)	Proof test (tonnes)	Dim	A	B	C	D	E	F	G	H
BEL 210	1959	130	250	mm	2073	1245	1203	838	330	432	130	99
BEL 213	1846	130	250	mm	1962	1099	1086	692	330	445	130	99
BEL 214	2530	130	250	mm	2318	1308	1397	902	330	508	130	99
BEL 215	2495	250	400	mm	2051	1168	1060	711	356	445	178	127
BEL 4214	3560	250	400	mm	2540	1422	1397	902	391	610	191	144

All dimensions are approximate

Lifting eye dimensions shown are standard for each type.  
Specials can be made to suit customer requirements.